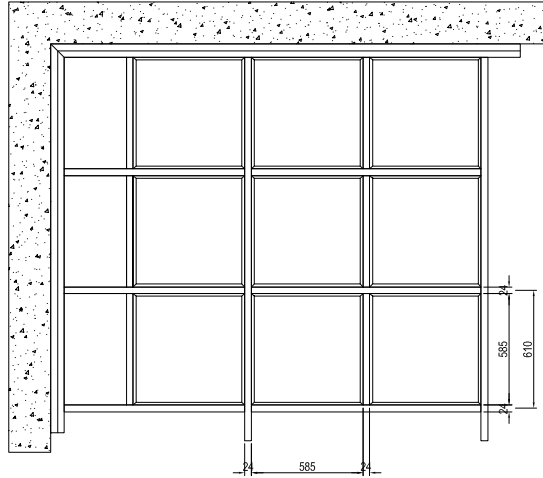
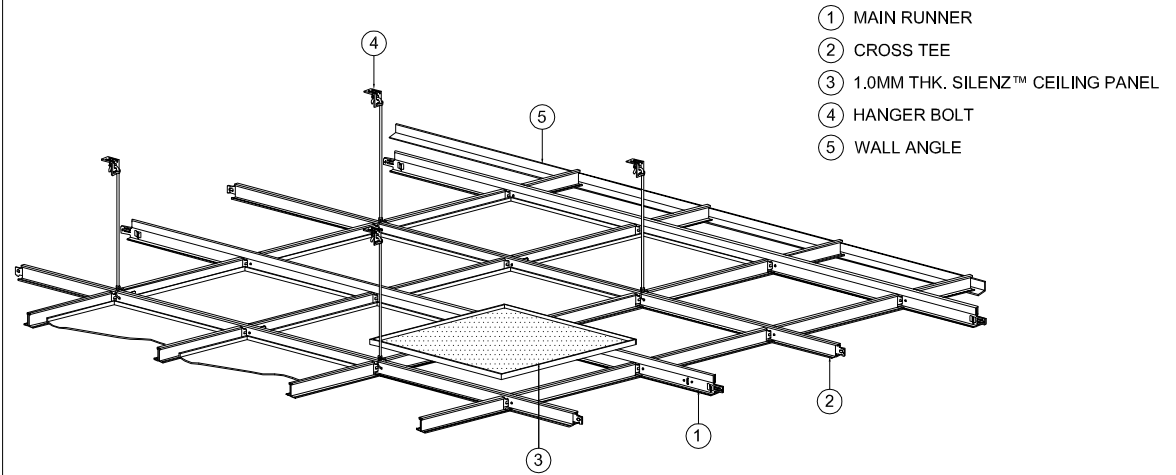


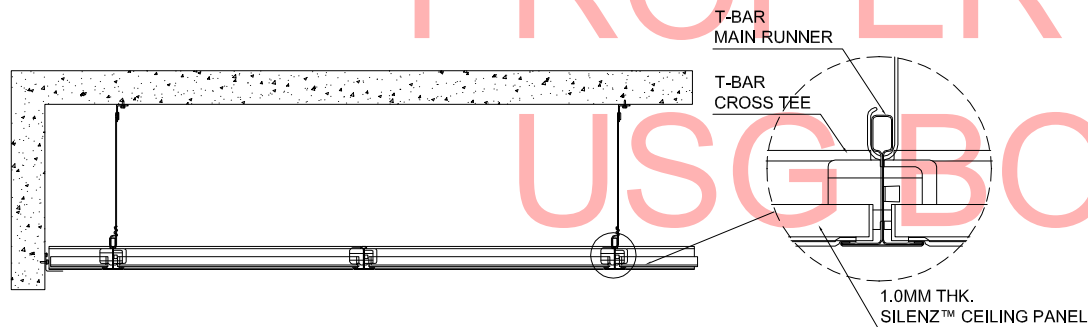
# USG BORAL LAY-IN SILENZ™ METAL CEILING



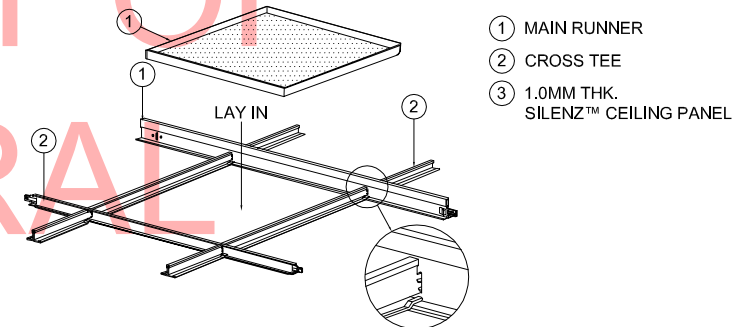
PART REFLECTED CEILING PLAN



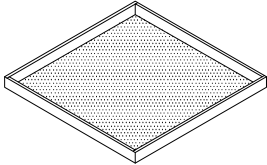
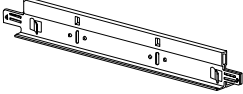
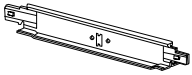

SILENZ™ METAL CEILING LAY-IN TYPE ASSEMBLY DRAWING



A - A VIEW



ASSEMBLY DETAIL'S DRAWING

NAME	SILENZ™ METAL CEILING PANEL	OVERLAP TYPE MAIN RUNNER	OVERLAP TYPE CROSS TEE (IMPERIAL SIZE)	L ANGLE
MATERIAL	ALUMINIUM: 1.0mm/ POWDER COATING	GAL.STEEL: 0.35mm	GAL.STEEL: 0.35mm	ALUMINIUM: 0.5mm GAL. STEEL: 0.5mm
TYPE				
SIZE	W595xL595xH20mm	L3600xW24xH38	L1200xW24xH28 L600xW24xH28	L3000xW24xH24



**USG Boral Singapore**  
8 Boon Lay Way #02-06 TradeHub 21 Singapore 609964  
Phone: +65 6272 9272 Fax: +65 6278 5310  
Website: www.usgboral.com

©2018 USG Boral. All rights reserved.

Disclaimer: The above drawing is drawn as a reference.  
For more information, please contact USG Boral Singapore office.